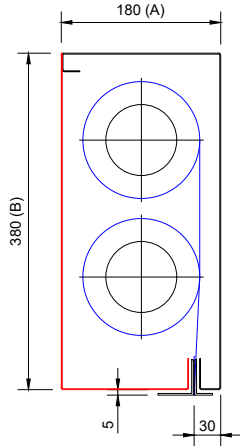


FLAMESHIELD 1634 FIRE CURTAIN HEADBOX CONFIGURATION SECTIONS - OVERLAPPING

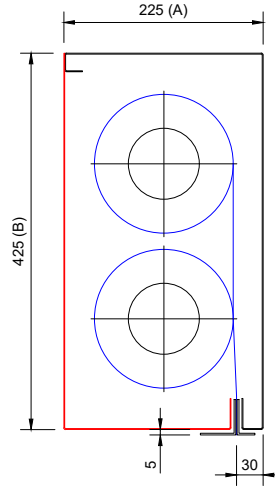
FLAMESHIELD
STD 180 x 380mm

PRODUCT	MAX WIDTH (C)	MAX DROP (D)	FABRIC
FC	UNLIMITED	3800	A1 STD
EW 120	30000	3000	A1 120



FLAMESHIELD
STD 225 x 425mm

PRODUCT	MAX WIDTH (C)	MAX DROP (D)	FABRIC
FC	UNLIMITED	8000	A1 STD
EW 120	30000	6000	A1 120



Drawing Title: FLAMESHIELD FIRE CURTAIN EN BS 1634 OV	Drawn By: DD
	Date: 01-05-2022
	Checked By: CE
	Date: 01-05-2022
All dimensions in millimetres - DO NOT SCALE	Drawing No: CD06R_01

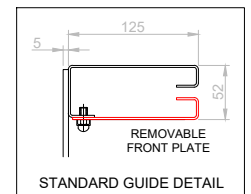
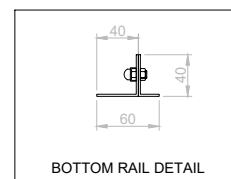
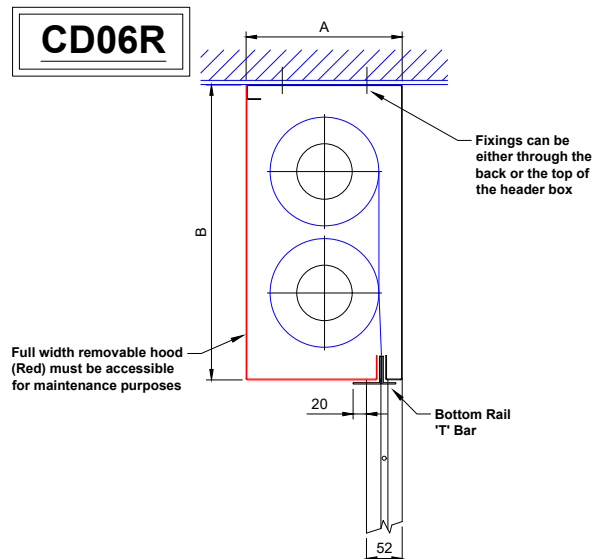
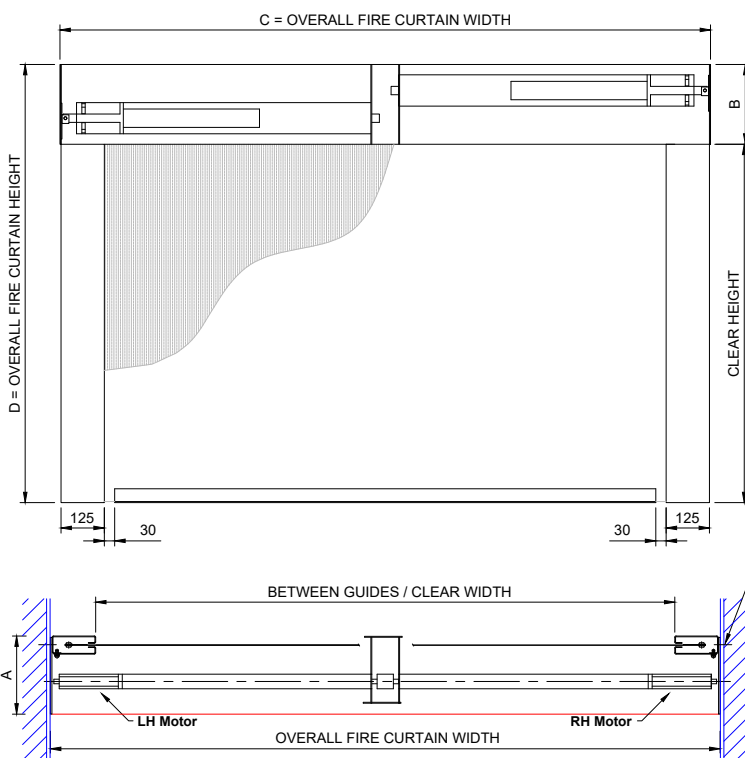


A1 Shutters Limited
Jackson Works
Raikes Lane Industrial Estate
Bolton BL3 2NH
Telephone 01204 383839

* SIZES GREATER THAN STATED PLEASE CONTACT A1S

FLAMESHIELD 1634 OVERLAPPING FIRE CURTAIN GENERAL ARRANGEMENT DRAWING: REVEAL FIT

Key:
 Components supplied by A1S Group
 Structure already in situ / or required by others
 All openings must be capable of carrying the weight of the fire curtain and be equal or greater than the fire resistance of the fire curtain assembly.



Drawing Title: FLAMESHIELD FIRE CURTAIN EN BS 1634 OV	Drawn By: DD
	Date: 01-05-2022
	Checked By: CE
	Date: 01-05-2022
All dimensions in millimetres - DO NOT SCALE	Drawing No: CD06R-02



A1 Shutters Limited
Jackson Works
Raikes Lane Industrial Estate
Bolton BL3 2NH
Telephone 01204 383839

* ADDITIONAL SIZES AVAILABLE SUBJECT TO ASSESSMENT