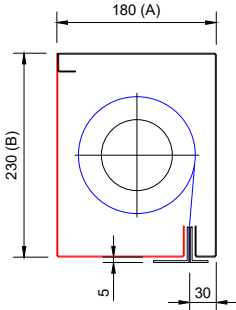


FLAMESHIELD EW120 FIRE CURTAIN HEADBOX CONFIGURATION SECTIONS - SINGLE

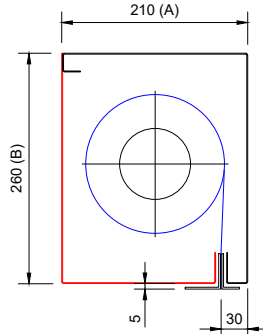
**FLAMESHIELD
STD 180 x 230mm**

PRODUCT	MAX WIDTH (C)	MAX DROP (D)	FABRIC
EW 120	5000	3500	A1 120



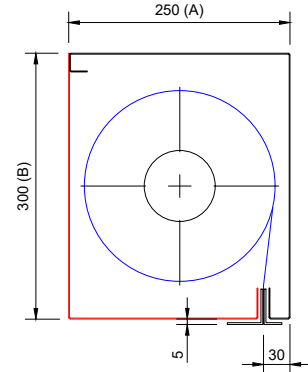
**FLAMESHIELD
STD 210 x 260mm**

PRODUCT	MAX WIDTH (C)	MAX DROP (D)	FABRIC
EW 120	5000	5000	A1 120



**FLAMESHIELD
STD 250 x 300mm**

PRODUCT	MAX WIDTH (C)	MAX DROP (D)	FABRIC
EW 120	5000	6000	A1 120



* SIZES GREATER THAN STATED PLEASE CONTACT A1S

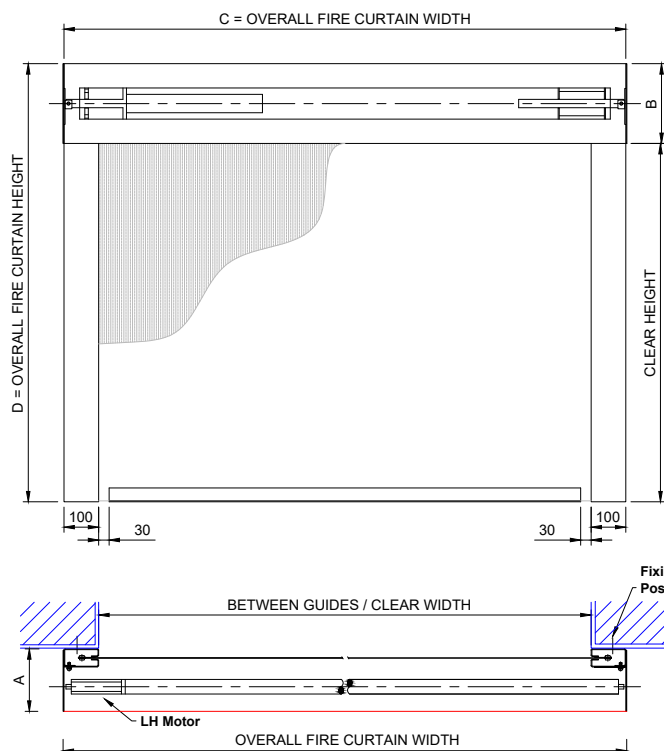
Drawing Title: FLAMESHIELD FIRE CURTAIN EW 120	Drawn By: DD
	Date: 01-05-2022
	Checked By: CE
	Date: 01-05-2022
All dimensions in millimetres - DO NOT SCALE	Drawing No: CD07F_01



A1 Shutters Limited
Jackson Works
Raikes Lane Industrial Estate
Bolton BL3 2NH
Telephone 01204 383839

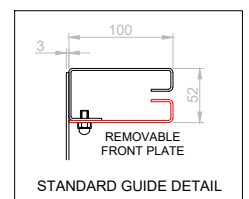
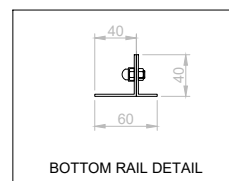
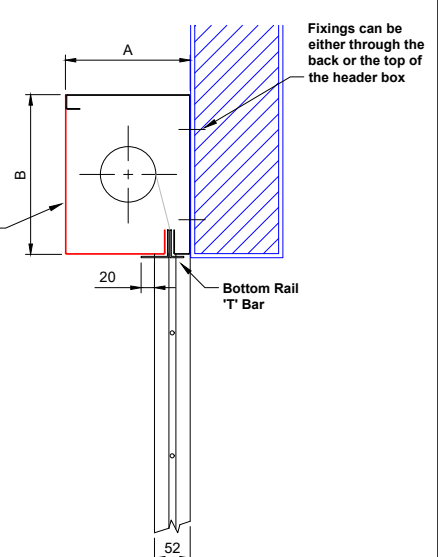
FLAMESHIELD EW120 FIRE CURTAIN GENERAL ARRANGEMENT DRAWING: FACE FIT

Key:
 Components supplied by A1S Group
 Structure already in situ / or required by others
 All openings must be capable of carrying the weight of the fire curtain and be equal or greater than the fire resistance of the fire curtain assembly.



CD07F

Full width removable hood (Red) must be accessible for maintenance purposes



* ADDITIONAL SIZES AVAILABLE SUBJECT TO ASSESSMENT

Drawing Title: FLAMESHIELD FIRE CURTAIN EW 120	Drawn By: DD
	Date: 01-05-2022
	Checked By: CE
	Date: 01-05-2022
All dimensions in millimetres - DO NOT SCALE	Drawing No: CD07F-02



A1 Shutters Limited
Jackson Works
Raikes Lane Industrial Estate
Bolton BL3 2NH
Telephone 01204 383839