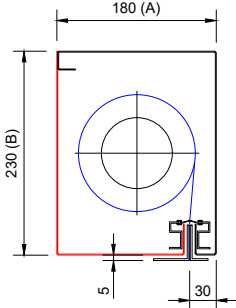


**FLAMESHIELD EW120 S FIRE CURTAIN HEADBOX CONFIGURATION SECTIONS - SINGLE**

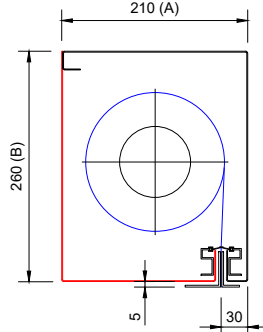
**FLAMESHIELD  
STD 180 x 230mm**

PRODUCT	MAX WIDTH (C)	MAX DROP (D)	FABRIC
EW 120	5000	3500	A1 120



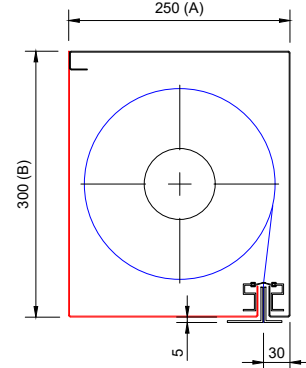
**FLAMESHIELD  
STD 210 x 260mm**

PRODUCT	MAX WIDTH (C)	MAX DROP (D)	FABRIC
EW 120	5000	5000	A1 120



**FLAMESHIELD  
STD 250 x 300mm**

PRODUCT	MAX WIDTH (C)	MAX DROP (D)	FABRIC
EW 120	5000	6000	A1 120



Drawing Title: FLAMESHIELD FIRE CURTAIN EW120 S	Drawn By: DD
	Date: 01-05-2022
	Checked By: CE
	Date: 01-05-2022
All dimensions in millimetres - DO NOT SCALE	Drawing No: CD08F_01

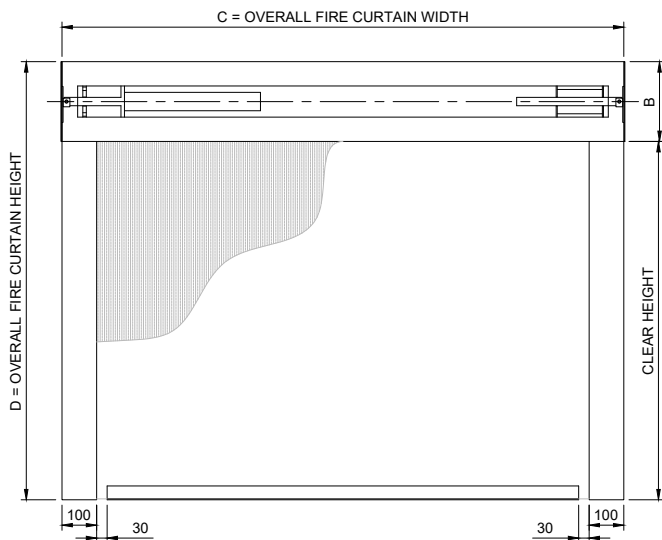


A1 Shutters Limited  
Jackson Works  
Raikes Lane Industrial Estate  
Bolton BL3 2NH  
Telephone 01204 383839

\* SIZES GREATER THAN STATED PLEASE CONTACT A1S

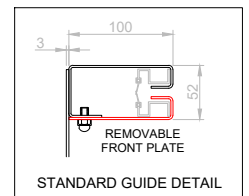
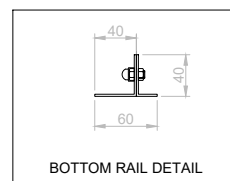
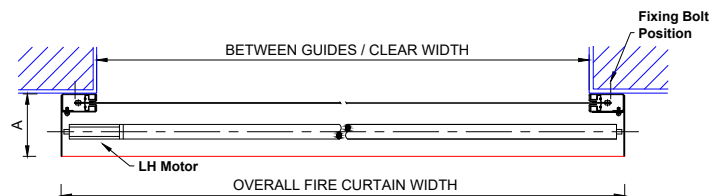
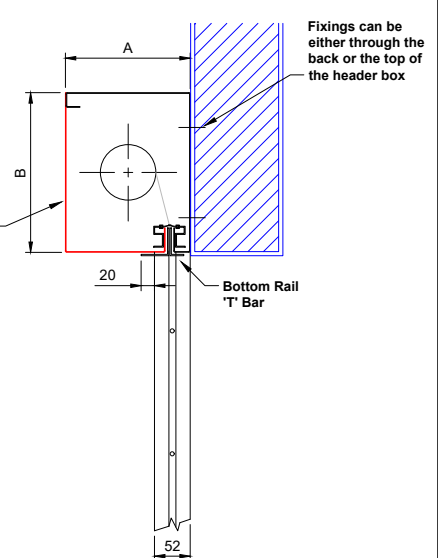
**FLAMESHIELD EW120 S FIRE CURTAIN GENERAL ARRANGEMENT DRAWING: FACE FIT**

**Key:**  
 Components supplied by A1S Group  
 Structure already in situ / or required by others  
 All openings must be capable of carrying the weight of the fire curtain and be equal or greater than the fire resistance of the fire curtain assembly.



**CD08F**

Full width removable hood (Red) must be accessible for maintenance purposes



Drawing Title: FLAMESHIELD FIRE CURTAIN EW120 S	Drawn By: DD
	Date: 01-05-2022
	Checked By: CE
	Date: 01-05-2022
All dimensions in millimetres - DO NOT SCALE	Drawing No: CD08F-02



A1 Shutters Limited  
Jackson Works  
Raikes Lane Industrial Estate  
Bolton BL3 2NH  
Telephone 01204 383839

\* ADDITIONAL SIZES AVAILABLE SUBJECT TO ASSESSMENT