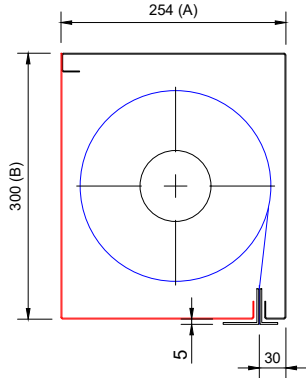


**FLAMESHIELD EW120 FIRE CURTAIN MAX SYSTEM HEADBOX CONFIGURATION SECTIONS - STANDARD AND SMOKE SEALS**

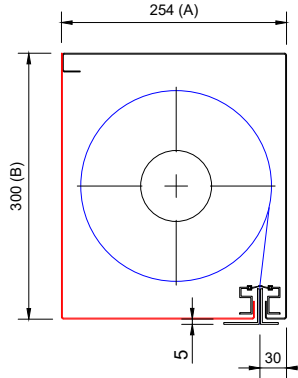
FLAMESHIELD MAX  
STD 254 x 300mm

PRODUCT	MAX WIDTH (C)	MAX DROP (D)	FABRIC
EW 120	10000	4000	A1 120



FLAMESHIELD MAX SS  
STD 254 x 300mm

PRODUCT	MAX WIDTH (C)	MAX DROP (D)	FABRIC
EW 120	10000	4000	A1 120



\* ADDITIONAL SIZES AVAILABLE SUBJECT TO ASSESSMENT  
\* ADDITIONAL ASSESSMENT IS REQUIRED FOR DROP LENGTH OVER 5000mm

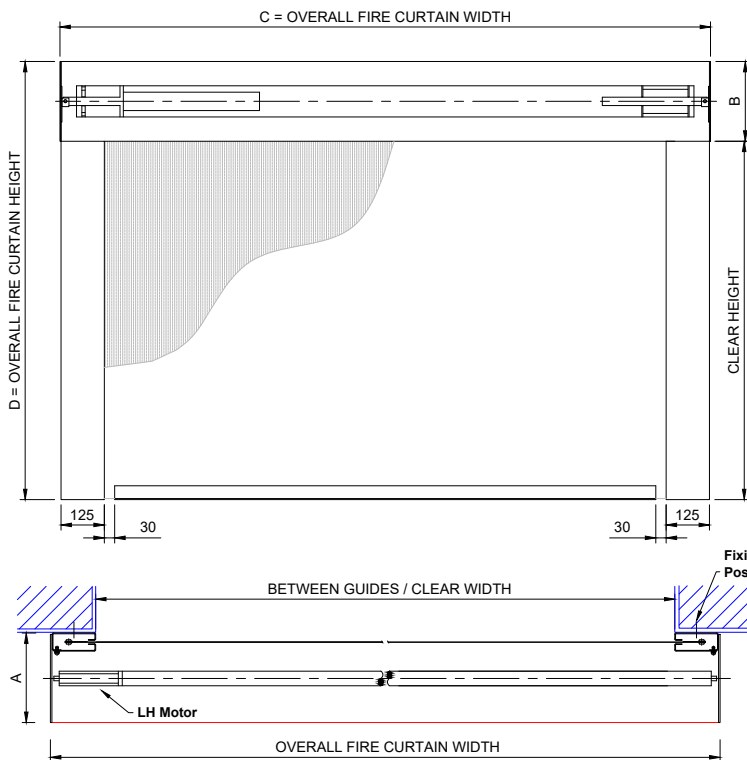
Drawing Title: FLAMESHIELD FIRE CURTAIN EW120 MAX/S	Drawn By: DD
	Date: 01-05-2022
	Checked By: CE
	Date: 01-05-2022
All dimensions in millimetres - DO NOT SCALE	Drawing No: CD08MF_01



A1 Shutters Limited  
Jackson Works  
Raikes Lane Industrial Estate  
Bolton BL3 2NH  
Telephone 01204 383839

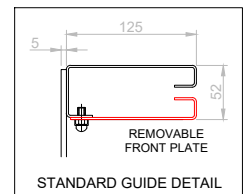
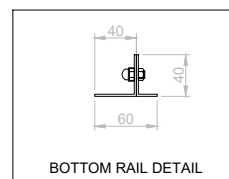
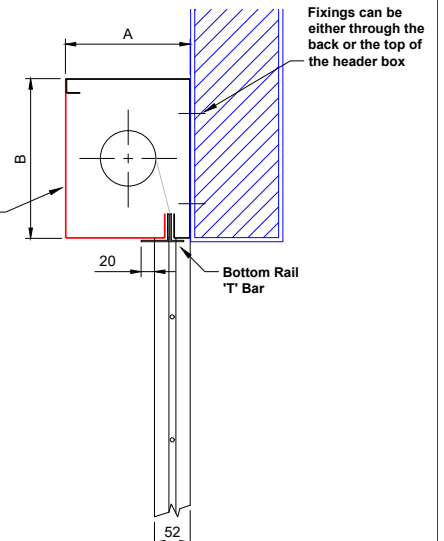
**FLAMESHIELD EW120 MAX / S FIRE CURTAIN GENERAL ARRANGEMENT DRAWING: FACE FIT**

**Key:**  
 Components supplied by A1S Group  
 Structure already in situ / or required by others  
 All openings must be capable of carrying the weight of the fire curtain and be equal or greater than the fire resistance of the fire curtain assembly.



**CD08MF**

Full width removable hood (Red) must be accessible for maintenance purposes



\* ADDITIONAL SIZES AVAILABLE SUBJECT TO ASSESSMENT

Drawing Title: FLAMESHIELD FIRE CURTAIN EW120 MAX/S	Drawn By: DD
	Date: 01-05-2022
	Checked By: CE
	Date: 01-05-2022
All dimensions in millimetres - DO NOT SCALE	Drawing No: CD08MF-02



A1 Shutters Limited  
Jackson Works  
Raikes Lane Industrial Estate  
Bolton BL3 2NH  
Telephone 01204 383839