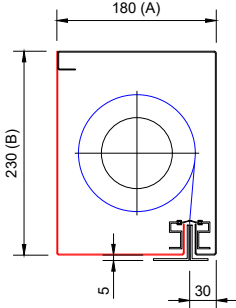


FLAMESHIELD EW120 S FIRE CURTAIN HEADBOX CONFIGURATION SECTIONS - SINGLE

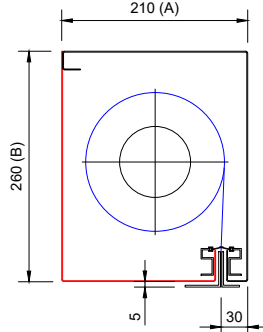
FLAMESHIELD
STD 180 x 230mm

PRODUCT	MAX WIDTH (C)	MAX DROP (D)	FABRIC
EW 120	5000	3500	A1 120



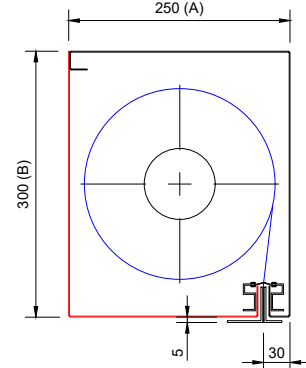
FLAMESHIELD
STD 210 x 260mm

PRODUCT	MAX WIDTH (C)	MAX DROP (D)	FABRIC
EW 120	5000	5000	A1 120



FLAMESHIELD
STD 250 x 300mm

PRODUCT	MAX WIDTH (C)	MAX DROP (D)	FABRIC
EW 120	5000	6000	A1 120



Drawing Title: FLAMESHIELD FIRE CURTAIN EW120 S	Drawn By: DD
	Date: 01-05-2022
	Checked By: CE
	Date: 01-05-2022
All dimensions in millimetres - DO NOT SCALE	Drawing No: CD08R_01

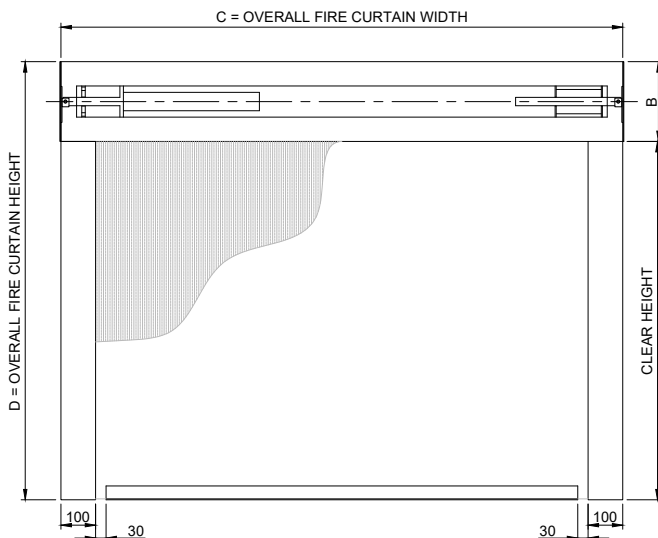


A1 Shutters Limited
Jackson Works
Raikes Lane Industrial Estate
Bolton BL3 2NH
Telephone 01204 383839

* SIZES GREATER THAN STATED PLEASE CONTACT A1S

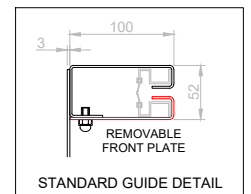
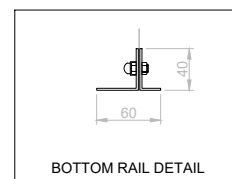
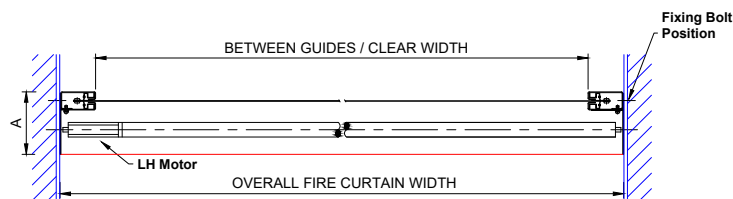
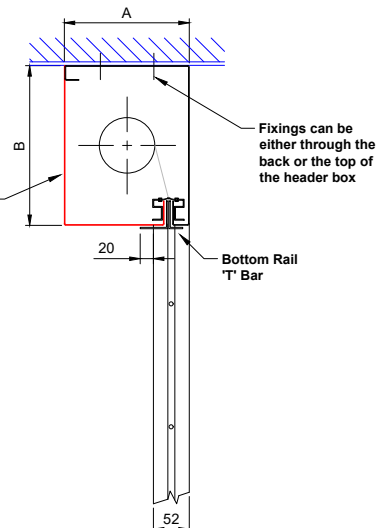
FLAMESHIELD EW120 S FIRE CURTAIN GENERAL ARRANGEMENT DRAWING: REVEAL FIT

Key:
 Components supplied by A1S Group
 Structure already in situ / or required by others
 All openings must be capable of carrying the weight of the fire curtain and be equal or greater than the fire resistance of the fire curtain assembly.



CD08R

Full width removable hood (Red) must be accessible for maintenance purposes



Drawing Title: FLAMESHIELD FIRE CURTAIN EW120 S	Drawn By: DD
	Date: 01-05-2022
	Checked By: CE
	Date: 01-05-2022
All dimensions in millimetres - DO NOT SCALE	Drawing No: CD08R-02



A1 Shutters Limited
Jackson Works
Raikes Lane Industrial Estate
Bolton BL3 2NH
Telephone 01204 383839

* ADDITIONAL SIZES AVAILABLE SUBJECT TO ASSESSMENT