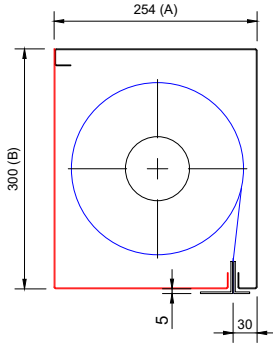


**FLAMESHIELD EVO 1 FIRE CURTAIN MAX SYSTEM HEADBOX CONFIGURATION SECTIONS - STANDARD AND SMOKE SEALS**

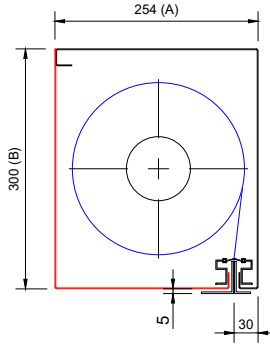
FLAMESHIELD MAX  
STD 254 x 300mm

PRODUCT	MAX WIDTH (C)	MAX DROP (D)	FABRIC
FC	10000	5000	A1 STD



FLAMESHIELD MAX SS  
STD 254 x 300mm

PRODUCT	MAX WIDTH (C)	MAX DROP (D)	FABRIC
FC	10000	5000	A1 STD



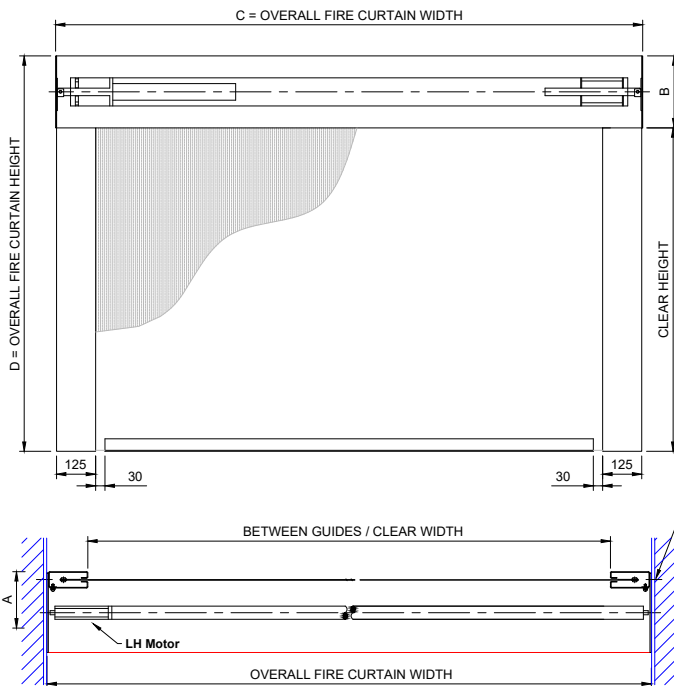
\* ADDITIONAL SIZES AVAILABLE SUBJECT TO ASSESSMENT  
\* ADDITIONAL ASSESSMENT IS REQUIRED FOR DROP LENGTH OVER 5000mm

Drawing Title: FLAMESHIELD EVO 1 MAX / S FIRE CURTAIN	Drawn By: DD
	Date: 18-11-2022
	Checked By: CE
	Date: 18-11-2022
All dimensions in millimetres - DO NOT SCALE	Drawing No: CD05MR_01



A1 Shutters Limited  
Jackson Works  
Raikes Lane Industrial Estate  
Bolton BL3 2NH  
Telephone 01204 383839

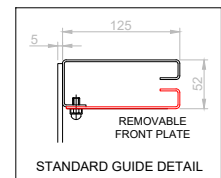
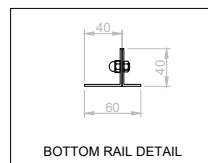
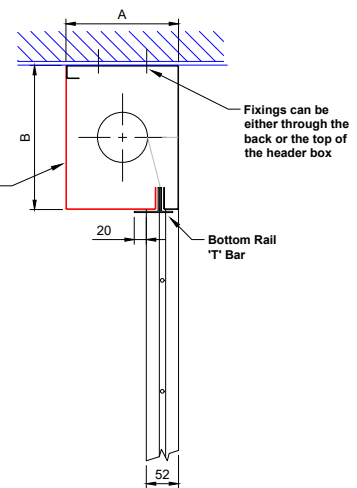
**FLAMESHIELD EVO 1 MAX / S FIRE CURTAIN GENERAL ARRANGEMENT DRAWING: REVEAL FIT**



**CD05MR**

**Key:**  
 Components supplied by A1S Group  
 Structure already in situ / or required by others  
 All openings must be capable of carrying the weight of the fire curtain and be equal or greater than the fire resistance of the fire curtain assembly.

Full width removable hood (Red) must be accessible for maintenance purposes



\* ADDITIONAL SIZES AVAILABLE SUBJECT TO ASSESSMENT

Drawing Title: FLAMESHIELD EVO 1 MAX / S FIRE CURTAIN	Drawn By: DD
	Date: 18-11-2022
	Checked By: CE
	Date: 18-11-2022
All dimensions in millimetres - DO NOT SCALE	Drawing No: CD05MR-02



A1 Shutters Limited  
Jackson Works  
Raikes Lane Industrial Estate  
Bolton BL3 2NH  
Telephone 01204 383839