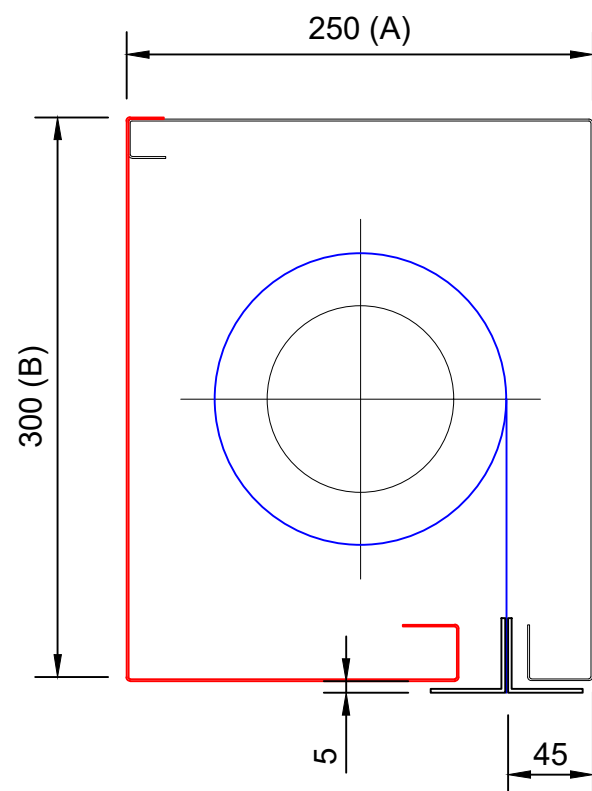


**FLAMESHIELD 8524 FIRE CURTAIN MAX SYSTEM HEADBOX CONFIGURATION SECTIONS - STANDARD AND SMOKE SEALS**

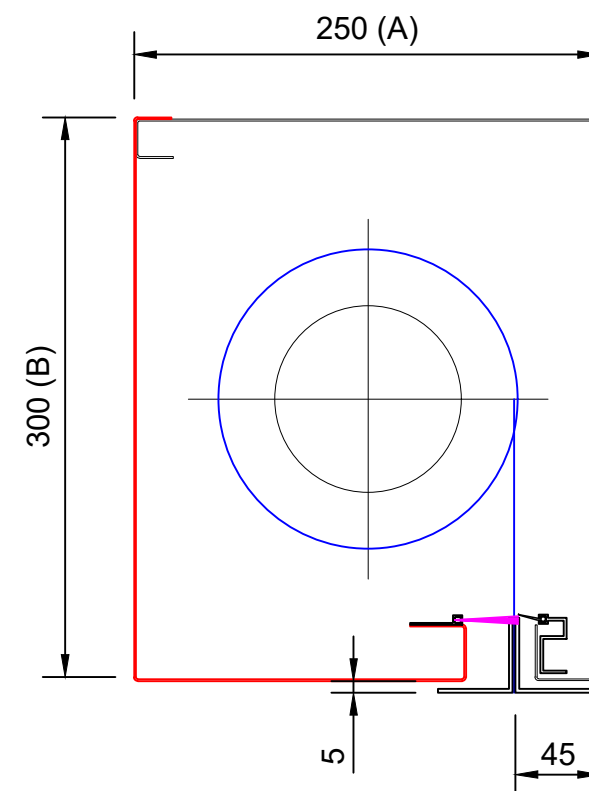
FLAMESHIELD MAX  
STANDARD 254 x 300mm

PRODUCT	MAX WIDTH (C)	MAX DROP (D)	FABRIC
FC	10000	5000	A1 STD



FLAMESHIELD MAX SS  
STANDARD 254 x 300mm

PRODUCT	MAX WIDTH (C)	MAX DROP (D)	FABRIC
FC	10000	5000	A1 STD



\* ADITIONAL SIZES AVAILABLE SUBJECT TO ASSESMENT  
\* ADDITIONAL ASSESSMENT IS REQUIRED FOR DROP LENGTH OVER 5000mm

Drawing Title: FLAMESHIELD FIRE CURTAIN BS 8524 MAX/S	Drawn By: DD
	Date: 22-10-2024
	Checked By: CE
	Date: 22-10-2024
All dimensions in millimetres - DO NOT SCALE	Drawing No: CD02MR_01

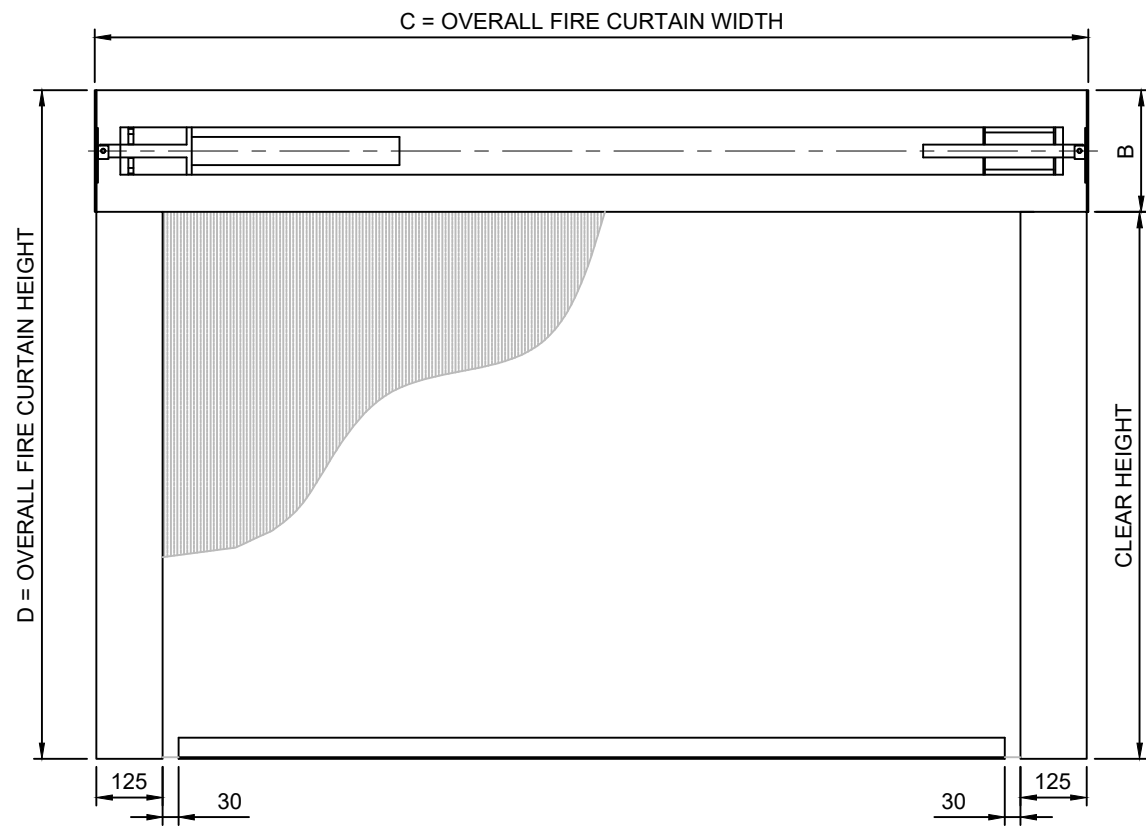


A1 Shutters Limited  
Jackson Works  
Raikes Lane Industrial Estate  
Bolton BL3 2NH  
Telephone 01204 383839

# FLAMESHIELD BS8524 MAX / S FIRE CURTAIN GENERAL ARRANGEMENT DRAWING: REVEAL FIT

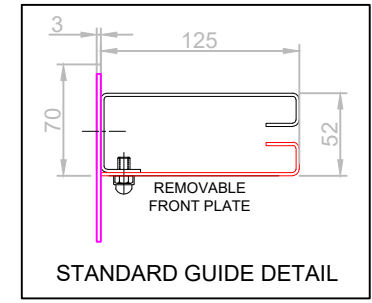
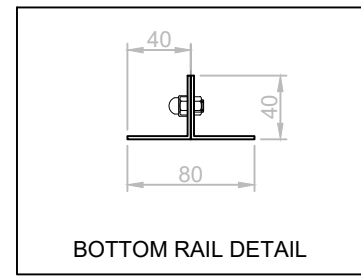
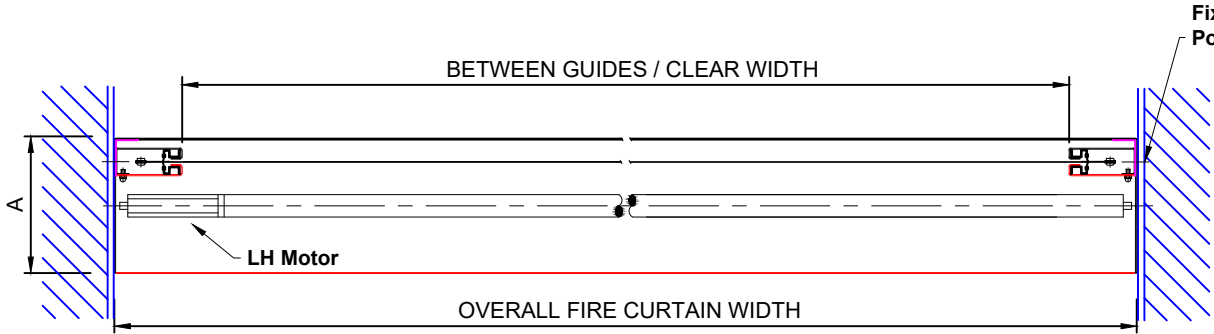
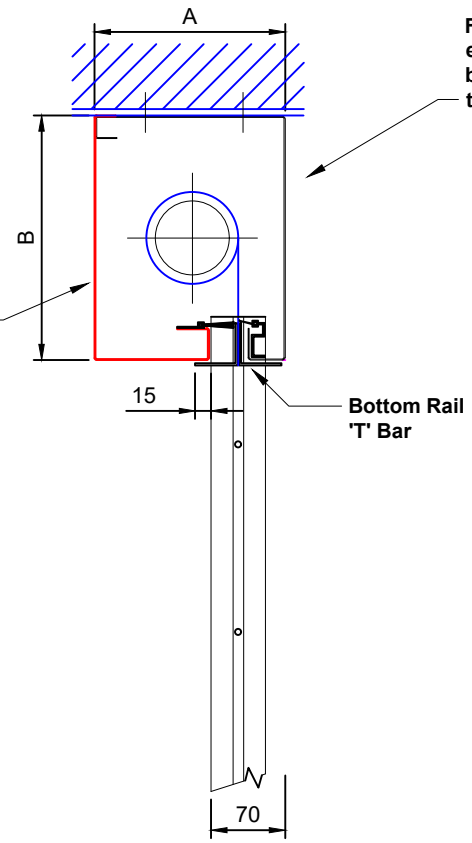
**Key:**  
— Components supplied by A1S Group  
— Structure already in situ / or required by others

All openings must be capable of carrying the weight of the fire curtain and be equal or greater than the fire resistance of the fire curtain assembly.



**CD02MR**

Full width removable hood (Red) must be accessible for maintenance purposes



Drawing Title: FLAMESHIELD FIRE CURTAIN BS 8524 MAX/S	Drawn By: DD
	Date: 22-10-2024
	Checked By: CE
	Date: 22-10-2024
All dimensions in millimetres - DO NOT SCALE	Drawing No: CD02MR-02



A1 Shutters Limited  
 Jackson Works  
 Raikes Lane Industrial Estate  
 Bolton BL3 2NH  
 Telephone 01204 383839

\* ADDITIONAL SIZES AVAILABLE SUBJECT TO ASSESSMENT